

● **FEATURES 特性**

Contain high - frequency ferrite, comparatively large rated current

高频铁氧体

● **APPLICATIONS 用途**

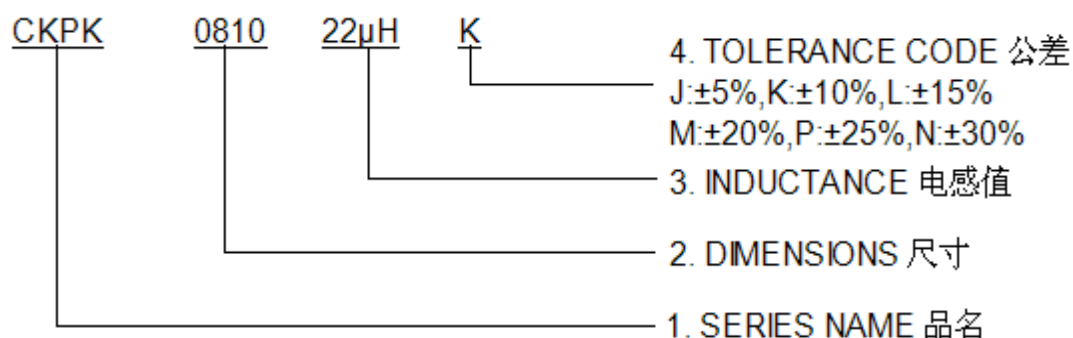
Power supplies, DC-DC converters, TVs, VTRs, Computers; computer Peripherals, Telephones,

Air-Cindltions, Home Elecrylic Appliance, Electronic toys and games.

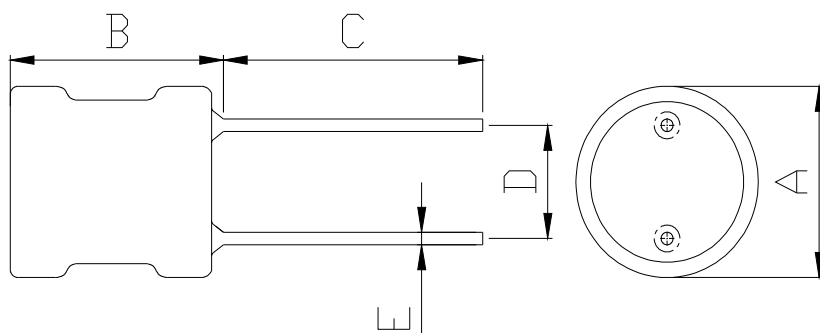
用于电源,DC-DC转换器; 电视机, 录相机, 计算机; 计算机周边设计; 电话机, 空气调节器,

家用电器, 电动玩具等。

● **PART NUMBERING SYSTEM 品名系统**



● **SHAPES AND DIMENSIONS 外形尺寸 (Unit:mm)**



TYPE(型号)	A	B	C	D	E
CKPK0304	4.5Max	6.5Max	15±2.0	1.5±0.5	0.48±0.05
CKPK0406	6.0Max	9.0Max	15±2.0	2.0±0.5	0.48±0.05
CKPK0507	6.5Max	9.5Max	15±2.0	2.5±0.5	0.6±0.05
CKPK0608	8.0Max	11.0Max	15±2.0	3.0±0.5	0.6±0.05
CKPK0707	9.0Max	10.0Max	15±2.0	5.0±0.5	0.6±0.05
CKPK0810	11.0Max	13.0Max	15±2.0	5.0±0.5	0.6±0.05
CKPK0912	12.0Max	15.0Max	15±2.0	5.0±0.5	0.8±0.1
CKPK1012	13.0Max	16.0Max	15±2.0	6.0±0.5	0.8±0.1
CKPK1016	13.0Max	20.0Max	15±2.0	6.0±0.5	0.8±0.1
CKPK1216	15.0Max	20.0Max	15±2.0	7.5±1.0	0.8±0.1



● SPECIFICATION TABLE:

PART NUMBER 品名	INDUCTANCE (μ H) 电感值	DCR (Max.) (Ω) 直流电阻	Idc (Max.) (A) 额定电流	TEST FREQUENCY 测试频率
CKPK0304-3R3M	3.3	0.20	0.55	100KHz, 0.25V
CKPK0304-3R9M	3.9	0.22	0.50	100KHz, 0.25V
CKPK0304-4R7M	4.7	0.25	0.45	100KHz, 0.25V
CKPK0304-5R6M	5.6	0.30	0.40	100KHz, 0.25V
CKPK0304-6R8M	6.8	0.30	0.38	100KHz, 0.25V
CKPK0304-8R2M	8.2	0.35	0.35	100KHz, 0.25V
CKPK0304-100K	10	0.35	0.32	1KHz, 0.25V
CKPK0304-120K	12	0.40	0.30	1KHz, 0.25V
CKPK0304-150K	15	0.50	0.28	1KHz, 0.25V
CKPK0304-180K	18	0.60	0.27	1KHz, 0.25V
CKPK0304-220K	22	0.70	0.25	1KHz, 0.25V
CKPK0304-270K	27	0.80	0.24	1KHz, 0.25V
CKPK0304-330K	33	0.90	0.23	1KHz, 0.25V
CKPK0304-390K	39	0.90	0.22	1KHz, 0.25V
CKPK0304-470K	47	1.0	0.20	1KHz, 0.25V
CKPK0304-560K	56	1.2	0.19	1KHz, 0.25V
CKPK0304-680K	68	1.5	0.18	1KHz, 0.25V
CKPK0304-820K	82	2.0	0.17	1KHz, 0.25V
CKPK0304-101K	100	3.0	0.16	1KHz, 0.25V
CKPK0304-121K	120	3.5	0.15	1KHz, 0.25V
CKPK0304-151K	150	4.0	0.15	1KHz, 0.25V
CKPK0304-181K	180	5.0	0.14	1KHz, 0.25V
CKPK0304-221K	220	6.0	0.14	1KHz, 0.25V
CKPK0304-271K	270	7.0	0.13	1KHz, 0.25V
CKPK0304-331K	330	8.0	0.12	1KHz, 0.25V
CKPK0304-391K	390	9.0	0.10	1KHz, 0.25V
CKPK0304-471K	470	11.0	0.08	1KHz, 0.25V

● SPECIFICATION TABLE:

PART NUMBER 品名	INDUCTANCE (μ H) 电感值	DCR (Max.) (Ω) 直流电阻	Idc (Max.) (A) 额定电流	TEST FREQUENCY 测试频率
CKPK0406-4R7M	4.7	0.120	1.50	100KHz, 0.25V
CKPK0406-5R6M	5.6	0.120	1.20	100KHz, 0.25V
CKPK0406-6R8M	6.8	0.130	1.00	100KHz, 0.25V
CKPK0406-8R2M	8.2	0.140	0.80	100KHz, 0.25V
CKPK0406-100K	10	0.150	0.70	1KHz,0.25V
CKPK0406-120K	12	0.180	0.60	1KHz,0.25V
CKPK0406-150K	15	0.200	0.65	1KHz,0.25V
CKPK0406-180K	18	0.240	0.63	1KHz,0.25V
CKPK0406-220K	22	0.260	0.60	1KHz,0.25V
CKPK0406-270K	27	0.300	0.56	1KHz,0.25V
CKPK0406-330K	33	0.400	0.55	1KHz,0.25V
CKPK0406-390K	39	0.500	0.52	1KHz,0.25V
CKPK0406-470K	47	0.600	0.50	1KHz,0.25V
CKPK0406-560K	56	0.70	0.50	1KHz,0.25V
CKPK0406-680K	68	1.00	0.48	1KHz,0.25V
CKPK0406-820K	82	1.20	0.47	1KHz,0.25V
CKPK0406-101K	100	1.40	0.45	1KHz,0.25V
CKPK0406-121K	120	1.50	0.40	1KHz,0.25V
CKPK0406-151K	150	1.60	0.35	1KHz,0.25V
CKPK0406-181K	180	1.80	0.30	1KHz,0.25V
CKPK0406-221K	220	2.00	0.24	1KHz,0.25V
CKPK0406-271K	270	2.50	0.22	1KHz,0.25V
CKPK0406-331K	330	3.00	0.20	1KHz,0.25V
CKPK0406-391K	390	3.30	0.18	1KHz,0.25V
CKPK0406-471K	470	3.50	0.18	1KHz,0.25V
CKPK0406-561K	560	4.0	0.16	1KHz,0.25V
CKPK0406-681K	680	6.0	0.15	1KHz,0.25V
CKPK0406-821K	820	7.0	0.12	1KHz,0.25V
CKPK0406-102K	1000	9.0	0.10	1KHz,0.25V
CKPK0406-122K	1200	12	0.09	1KHz,0.25V
CKPK0406-152K	1500	15	0.08	1KHz,0.25V
CKPK0406-182K	1800	17	0.070	1KHz,0.25V
CKPK0406-222K	2200	22	0.070	1KHz,0.25V
CKPK0406-272K	2700	30	0.060	1KHz,0.25V
CKPK0406-332K	3300	33	0.055	1KHz,0.25V

● SPECIFICATION TABLE:

PART NUMBER 品名	INDUCTANCE (μ H) 电感值	DCR (Max.) (Ω) 直流电阻	Idc (Max.) (A) 额定电流	TEST FREQUENCY 测试频率
CKPK0507-4R7M	4.7	0.050	2.00	100KHz, 0.25V
CKPK0507-6R8M	6.8	0.060	1.80	100KHz, 0.25V
CKPK0507-100K	10	0.080	1.60	1KHz,0.25V
CKPK0507-120K	12	0.10	1.60	1KHz,0.25V
CKPK0507-150K	15	0.14	1.50	1KHz,0.25V
CKPK0507-180K	18	0.15	1.20	1KHz,0.25V
CKPK0507-220K	22	0.16	1.00	1KHz,0.25V
CKPK0507-270K	27	0.20	0.90	1KHz,0.25V
CKPK0507-330K	33	0.30	0.80	1KHz,0.25V
CKPK0507-390K	39	0.40	0.75	1KHz,0.25V
CKPK0507-470K	47	0.45	0.70	1KHz,0.25V
CKPK0507-560K	56	0.50	0.65	1KHz,0.25V
CKPK0507-680K	68	0.55	0.60	1KHz,0.25V
CKPK0507-820K	82	0.60	0.55	1KHz,0.25V
CKPK0507-101K	100	0.80	0.50	1KHz,0.25V
CKPK0507-121K	120	1.00	0.48	1KHz,0.25V
CKPK0507-151K	150	1.50	0.45	1KHz,0.25V
CKPK0507-181K	180	1.80	0.42	1KHz,0.25V
CKPK0507-221K	220	2.00	0.40	1KHz,0.25V
CKPK0507-271K	270	2.30	0.35	1KHz,0.25V
CKPK0507-331K	330	2.60	0.30	1KHz,0.25V
CKPK0507-391K	390	2.80	0.28	1KHz,0.25V
CKPK0507-471K	470	3.00	0.25	1KHz,0.25V
CKPK0507-561K	560	3.50	0.25	1KHz,0.25V
CKPK0507-681K	680	4.50	0.24	1KHz,0.25V
CKPK0507-821K	820	5.0	0.20	1KHz,0.25V
CKPK0507-102K	1000	6.0	0.18	1KHz,0.25V
CKPK0507-122K	1200	8	0.16	1KHz,0.25V
CKPK0507-152K	1500	9	0.15	1KHz,0.25V
CKPK0507-182K	1800	10	0.14	1KHz,0.25V
CKPK0507-222K	2200	12	0.10	1KHz,0.25V
CKPK0507-272K	2700	16	0.09	1KHz,0.25V
CKPK0507-332K	3300	20	0.08	1KHz,0.25V
CKPK0507-392K	3900	24	0.07	1KHz,0.25V
CKPK0507-472K	4700	26	0.060	1KHz,0.25V
CKPK0507-562K	5600	28	0.055	1KHz,0.25V
CKPK0507-682K	6800	30	0.050	1KHz,0.25V
CKPK0507-822K	8200	40	0.045	1KHz,0.25V
CKPK0507-103K	10000	60	0.040	1KHz,0.25V

● SPECIFICATION TABLE:

PART NUMBER 品名	INDUCTANCE (μ H) 电感值	DCR (Max.) (Ω) 直流电阻	Idc (Max.) (A) 额定电流	TEST FREQUENCY 测试频率
CKPK0608-100K	10	0.09	2.00	1KHz,0.25V
CKPK0608-120K	12	0.10	1.90	1KHz,0.25V
CKPK0608-150K	15	0.11	1.80	1KHz,0.25V
CKPK0608-180K	18	0.12	1.60	1KHz,0.25V
CKPK0608-220K	22	0.12	1.50	1KHz,0.25V
CKPK0608-270K	27	0.17	1.20	1KHz,0.25V
CKPK0608-330K	33	0.19	1.00	1KHz,0.25V
CKPK0608-390K	39	0.22	0.95	1KHz,0.25V
CKPK0608-470K	47	0.23	0.90	1KHz,0.25V
CKPK0608-560K	56	0.29	0.85	1KHz,0.25V
CKPK0608-680K	68	0.37	0.80	1KHz,0.25V
CKPK0608-820K	82	0.39	0.75	1KHz,0.25V
CKPK0608-101K	100	0.44	0.70	1KHz,0.25V
CKPK0608-121K	120	0.64	0.65	1KHz,0.25V
CKPK0608-151K	150	0.73	0.60	1KHz,0.25V
CKPK0608-181K	180	0.82	0.55	1KHz,0.25V
CKPK0608-221K	220	0.92	0.50	1KHz,0.25V
CKPK0608-271K	270	1.3	0.45	1KHz,0.25V
CKPK0608-331K	330	1.5	0.40	1KHz,0.25V
CKPK0608-391K	390	1.8	0.35	1KHz,0.25V
CKPK0608-471K	470	2.3	0.30	1KHz,0.25V
CKPK0608-561K	560	3.0	0.28	1KHz,0.25V
CKPK0608-681K	680	3.25	0.25	1KHz,0.25V
CKPK0608-821K	820	4.16	0.23	1KHz,0.25V
CKPK0608-102K	1000	5.00	0.21	1KHz,0.25V
CKPK0608-122K	1200	6.50	0.20	1KHz,0.25V
CKPK0608-152K	1500	8.00	0.17	1KHz,0.25V
CKPK0608-182K	1800	9.00	0.16	1KHz,0.25V
CKPK0608-222K	2200	9.50	0.14	1KHz,0.25V
CKPK0608-272K	2700	10.00	0.12	1KHz,0.25V
CKPK0608-332K	3300	11.00	0.10	1KHz,0.25V
CKPK0608-392K	3900	13.00	0.09	1KHz,0.25V
CKPK0608-472K	4700	17.00	0.080	1KHz,0.25V
CKPK0608-562K	5600	20.00	0.070	1KHz,0.25V
CKPK0608-682K	6800	27.00	0.060	1KHz,0.25V
CKPK0608-822K	8200	32.00	0.055	1KHz,0.25V
CKPK0608-103K	10000	38.00	0.050	1KHz,0.25V
CKPK0608-123K	12000	43.00	0.045	1KHz,0.25V
CKPK0608-153K	15000	65.00	0.040	1KHz,0.25V



● SPECIFICATION TABLE:

PART NUMBER 品名	INDUCTANCE (μ H) 电感值	DCR (Max.) (Ω) 直流电阻	Idc (Max.) (A) 额定电流	TEST FREQUENCY 测试频率
CKPK0707-4R7M	4.7	0.025	3.00	100KHz, 0.25V
CKPK0707-6R8M	6.8	0.030	2.50	100KHz, 0.25V
CKPK0707-100K	10	0.065	2.40	1KHz,0.25V
CKPK0707-120K	12	0.075	2.30	1KHz,0.25V
CKPK0707-150K	15	0.09	2.20	1KHz,0.25V
CKPK0707-180K	18	0.12	2.00	1KHz,0.25V
CKPK0707-220K	22	0.13	1.80	1KHz,0.25V
CKPK0707-270K	27	0.14	1.60	1KHz,0.25V
CKPK0707-330K	33	0.15	1.50	1KHz,0.25V
CKPK0707-390K	39	0.20	1.30	1KHz,0.25V
CKPK0707-470K	47	0.22	1.20	1KHz,0.25V
CKPK0707-560K	56	0.25	1.10	1KHz,0.25V
CKPK0707-680K	68	0.32	1.00	1KHz,0.25V
CKPK0707-820K	82	0.35	0.95	1KHz,0.25V
CKPK0707-101K	100	0.40	0.90	1KHz,0.25V
CKPK0707-121K	120	0.55	0.85	1KHz,0.25V
CKPK0707-151K	150	0.80	0.80	1KHz,0.25V
CKPK0707-181K	180	0.90	0.70	1KHz,0.25V
CKPK0707-221K	220	1.00	0.65	1KHz,0.25V
CKPK0707-271K	270	1.20	0.60	1KHz,0.25V
CKPK0707-331K	330	1.30	0.50	1KHz,0.25V
CKPK0707-391K	390	1.40	0.45	1KHz,0.25V
CKPK0707-471K	470	1.50	0.38	1KHz,0.25V
CKPK0707-561K	560	1.80	0.35	1KHz,0.25V
CKPK0707-681K	680	2.50	0.30	1KHz,0.25V
CKPK0707-821K	820	3.70	0.28	1KHz,0.25V
CKPK0707-102K	1000	4.00	0.26	1KHz,0.25V
CKPK0707-122K	1200	4.50	0.24	1KHz,0.25V
CKPK0707-152K	1500	5.60	0.22	1KHz,0.25V
CKPK0707-182K	1800	6.50	0.21	1KHz,0.25V
CKPK0707-222K	2200	7.70	0.20	1KHz,0.25V
CKPK0707-272K	2700	9.60	0.18	1KHz,0.25V
CKPK0707-332K	3300	12.00	0.17	1KHz,0.25V
CKPK0707-392K	3900	14.0	0.16	1KHz,0.25V
CKPK0707-472K	4700	20.0	0.15	1KHz,0.25V
CKPK0707-562K	5600	24.0	0.12	1KHz,0.25V
CKPK0707-682K	6800	28.0	0.10	1KHz,0.25V
CKPK0707-822K	8200	32.0	0.09	1KHz,0.25V
CKPK0707-103K	10000	36.0	0.08	1KHz,0.25V
CKPK0707-123K	12000	48.0	0.070	1KHz,0.25V
CKPK0707-153K	15000	56.0	0.060	1KHz,0.25V

● SPECIFICATION TABLE:

PART NUMBER 品名	INDUCTANCE (μ H) 电感值	DCR (Max.) (Ω) 直流电阻	Idc (Max.) (A) 额定电流	TEST FREQUENCY 测试频率
CKPK0810-3R3M	3.3	0.04	4.20	100KHz,0.25V
CKPK0810-3R9M	3.9	0.05	4.20	100KHz,0.25V
CKPK0810-4R7M	4.7	0.06	4.00	100KHz,0.25V
CKPK0810-5R6M	5.6	0.06	3.80	100KHz,0.25V
CKPK0810-6R8M	6.8	0.06	3.80	100KHz,0.25V
CKPK0810-8R2M	8.2	0.06	3.60	100KHz,0.25V
CKPK0810-100K	10	0.07	3.50	1KHz,0.25V
CKPK0810-120K	12	0.08	3.20	1KHz,0.25V
CKPK0810-150K	15	0.09	3.00	1KHz,0.25V
CKPK0810-180K	18	0.10	2.80	1KHz,0.25V
CKPK0810-220K	22	0.12	2.50	1KHz,0.25V
CKPK0810-270K	27	0.14	2.20	1KHz,0.25V
CKPK0810-330K	33	0.16	2.00	1KHz,0.25V
CKPK0810-390K	39	0.16	1.80	1KHz,0.25V
CKPK0810-470K	47	0.18	1.50	1KHz,0.25V
CKPK0810-560K	56	0.20	1.40	1KHz,0.25V
CKPK0810-680K	68	0.23	1.30	1KHz,0.25V
CKPK0810-820K	82	0.27	1.20	1KHz,0.25V
CKPK0810-101K	100	0.30	1.20	1KHz,0.25V
CKPK0810-121K	120	0.33	1.00	1KHz,0.25V
CKPK0810-151K	150	0.46	0.80	1KHz,0.25V
CKPK0810-181K	180	0.51	0.60	1KHz,0.25V
CKPK0810-221K	220	0.62	0.55	1KHz,0.25V
CKPK0810-271K	270	0.65	0.45	1KHz,0.25V
CKPK0810-331K	330	0.79	0.40	1KHz,0.25V
CKPK0810-391K	390	0.91	0.40	1KHz,0.25V
CKPK0810-471K	470	1.1	0.35	1KHz,0.25V
CKPK0810-561K	560	1.2	0.30	1KHz,0.25V
CKPK0810-681K	680	1.5	0.28	1KHz,0.25V
CKPK0810-821K	820	1.7	0.25	1KHz,0.25V
CKPK0810-102K	1000	2.0	0.22	1KHz,0.25V
CKPK0810-122K	1200	2.5	0.20	1KHz,0.25V
CKPK0810-152K	1500	2.9	0.18	1KHz,0.25V
CKPK0810-182K	1800	3.5	0.15	1KHz,0.25V
CKPK0810-222K	2200	4.2	0.14	1KHz,0.25V
CKPK0810-272K	2700	5.1	0.13	1KHz,0.25V
CKPK0810-332K	3300	6.1	0.12	1KHz,0.25V
CKPK0810-392K	3900	7.8	0.11	1KHz,0.25V
CKPK0810-472K	4700	8.0	0.100	1KHz,0.25V
CKPK0810-562K	5600	10.0	0.095	1KHz,0.25V
CKPK0810-682K	6800	14.0	0.090	1KHz,0.25V
CKPK0810-822K	8200	15.0	0.085	1KHz,0.25V
CKPK0810-103K	10000	20.0	0.080	1KHz,0.25V
CKPK0810-123K	12000	22.0	0.070	1KHz,0.25V
CKPK0810-153K	15000	24.0	0.060	1KHz,0.25V

● SPECIFICATION TABLE:

PART NUMBER 品名	INDUCTANCE (μ H) 电感值	DCR (Max.) (Ω) 直流电阻	Idc (Max.) (A) 额定电流	TEST FREQUENCY 测试频率
CKPK0912-100K	10	0.04	4.00	1KHz,0.25V
CKPK0912-120K	12	0.045	3.80	1KHz,0.25V
CKPK0912-150K	15	0.05	3.50	1KHz,0.25V
CKPK0912-180K	18	0.06	3.20	1KHz,0.25V
CKPK0912-220K	22	0.07	3.00	1KHz,0.25V
CKPK0912-270K	27	0.10	2.80	1KHz,0.25V
CKPK0912-330K	33	0.12	2.50	1KHz,0.25V
CKPK0912-390K	39	0.12	2.00	1KHz,0.25V
CKPK0912-470K	47	0.13	1.90	1KHz,0.25V
CKPK0912-560K	56	0.14	1.80	1KHz,0.25V
CKPK0912-680K	68	0.15	1.70	1KHz,0.25V
CKPK0912-820K	82	0.16	1.60	1KHz,0.25V
CKPK0912-101K	100	0.25	1.50	1KHz,0.25V
CKPK0912-121K	120	0.28	1.20	1KHz,0.25V
CKPK0912-151K	150	0.30	1.00	1KHz,0.25V
CKPK0912-181K	180	0.45	0.70	1KHz,0.25V
CKPK0912-221K	220	0.50	0.60	1KHz,0.25V
CKPK0912-271K	270	0.65	0.50	1KHz,0.25V
CKPK0912-331K	330	0.85	0.45	1KHz,0.25V
CKPK0912-391K	390	0.95	0.40	1KHz,0.25V
CKPK0912-471K	470	1.1	0.35	1KHz,0.25V
CKPK0912-561K	560	1.2	0.30	1KHz,0.25V
CKPK0912-681K	680	1.3	0.25	1KHz,0.25V
CKPK0912-821K	820	1.5	0.20	1KHz,0.25V
CKPK0912-102K	1000	2.0	0.20	1KHz,0.25V
CKPK0912-122K	1200	2.3	0.18	1KHz,0.25V
CKPK0912-152K	1500	2.9	0.17	1KHz,0.25V
CKPK0912-182K	1800	3.3	0.16	1KHz,0.25V
CKPK0912-222K	2200	4.5	0.15	1KHz,0.25V
CKPK0912-272K	2700	5.5	0.14	1KHz,0.25V
CKPK0912-332K	3300	5.7	0.13	1KHz,0.25V
CKPK0912-392K	3900	6.5	0.12	1KHz,0.25V
CKPK0912-472K	4700	7.2	0.12	1KHz,0.25V
CKPK0912-562K	5600	9.5	0.11	1KHz,0.25V
CKPK0912-682K	6800	12	0.10	1KHz,0.25V
CKPK0912-822K	8200	14	0.10	1KHz,0.25V
CKPK0912-103K	10000	16	0.09	1KHz,0.25V
CKPK0912-123K	12000	18	0.09	1KHz,0.25V
CKPK0912-153K	15000	21	0.08	1KHz,0.25V
CKPK0912-183K	18000	25	0.08	1KHz,0.25V
CKPK0912-223K	22000	33	0.07	1KHz,0.25V
CKPK0912-273K	27000	40	0.05	1KHz,0.25V
CKPK0912-333K	33000	45	0.04	1KHz,0.25V



● SPECIFICATION TABLE:

PART NUMBER 品名	INDUCTANCE (μ H) 电感值	DCR (Max.) (Ω) 直流电阻	Idc (Max.) (A) 额定电流	TEST FREQUENCY 测试频率
CKPK1012-3R3M	3.3	0.025	5.5	100KHz,0.45V
CKPK1012-3R9M	3.9	0.030	5.0	100KHz,0.45V
CKPK1012-4R7M	4.7	0.030	5.0	100KHz,0.45V
CKPK1012-5R6M	5.6	0.040	4.8	100KHz,0.45V
CKPK1012-6R8M	6.8	0.040	4.8	100KHz,0.45V
CKPK1012-8R2M	8.2	0.045	4.5	100KHz,0.45V
CKPK1012-100K	10	0.050	4.2	1KHz,0.45V
CKPK1012-120K	12	0.050	4.0	1KHz,0.45V
CKPK1012-150K	15	0.060	3.8	1KHz,0.45V
CKPK1012-180K	18	0.070	3.8	1KHz,0.45V
CKPK1012-220K	22	0.080	3.5	1KHz,0.45V
CKPK1012-270K	27	0.090	3.2	1KHz,0.45V
CKPK1012-330K	33	0.100	3.0	1KHz,0.45V
CKPK1012-390K	39	0.120	2.5	1KHz,0.45V
CKPK1012-470K	47	0.120	2.0	1KHz,0.45V
CKPK1012-560K	56	0.140	1.8	1KHz,0.45V
CKPK1012-680K	68	0.150	1.7	1KHz,0.45V
CKPK1012-820K	82	0.160	1.6	1KHz,0.45V
CKPK1012-101K	100	0.180	1.5	1KHz,0.45V
CKPK1012-121K	120	0.200	1.4	1KHz,0.45V
CKPK1012-151K	150	0.250	1.2	1KHz,0.45V
CKPK1012-181K	180	0.280	1.0	1KHz,0.45V
CKPK1012-221K	220	0.300	0.90	1KHz,0.45V
CKPK1012-271K	270	0.420	0.80	1KHz,0.45V
CKPK1012-331K	330	0.550	0.70	1KHz,0.45V
CKPK1012-391K	390	0.600	0.60	1KHz,0.45V
CKPK1012-471K	470	0.650	0.55	1KHz,0.45V
CKPK1012-561K	560	0.750	0.50	1KHz,0.45V
CKPK1012-681K	680	0.850	0.50	1KHz,0.45V
CKPK1012-821K	820	1.100	0.40	1KHz,0.45V
CKPK1012-102K	1000	1.400	0.30	1KHz,0.45V



● SPECIFICATION TABLE:

PART NUMBER 品名	INDUCTANCE (μ H) 电感值	DCR (Max.) (Ω) 直流电阻	Idc (Max.) (A) 额定电流	TEST FREQUENCY 测试频率
CKPK1016-4R7M	4.7	0.020	5.8	100KHz,0.25V
CKPK1016-5R6M	5.6	0.025	5.5	100KHz,0.25V
CKPK1016-6R8M	6.8	0.025	5.4	100KHz,0.25V
CKPK1016-8R2M	8.2	0.028	5.2	100KHz,0.25V
CKPK1016-100K	10	0.035	5.0	1KHz,0.25V
CKPK1016-120K	12	0.035	4.5	1KHz,0.25V
CKPK1016-150K	15	0.040	4.0	1KHz,0.25V
CKPK1016-180K	18	0.060	4.0	1KHz,0.25V
CKPK1016-220K	22	0.080	3.8	1KHz,0.25V
CKPK1016-270K	27	0.100	3.5	1KHz,0.25V
CKPK1016-330K	33	0.100	3.5	1KHz,0.25V
CKPK1016-390K	39	0.120	3.2	1KHz,0.25V
CKPK1016-470K	47	0.120	3.0	1KHz,0.25V
CKPK1016-560K	56	0.130	2.8	1KHz,0.25V
CKPK1016-680K	68	0.140	2.5	1KHz,0.25V
CKPK1016-820K	82	0.150	2.2	1KHz,0.25V
CKPK1016-101K	100	0.180	2.0	1KHz,0.25V
CKPK1016-121K	120	0.200	1.8	1KHz,0.25V
CKPK1016-151K	150	0.220	1.6	1KHz,0.25V
CKPK1016-181K	180	0.250	1.5	1KHz,0.25V
CKPK1016-221K	220	0.300	1.5	1KHz,0.25V
CKPK1016-271K	270	0.350	1.4	1KHz,0.25V
CKPK1016-331K	330	0.600	1.3	1KHz,0.25V
CKPK1016-391K	390	0.700	1.2	1KHz,0.25V
CKPK1016-471K	470	0.800	1.0	1KHz,0.25V
CKPK1016-561K	560	0.900	1.0	1KHz,0.25V
CKPK1016-681K	680	1.000	0.9	1KHz,0.25V
CKPK1016-821K	820	1.200	0.8	1KHz,0.25V
CKPK1016-102K	1000	1.500	0.7	1KHz,0.25V



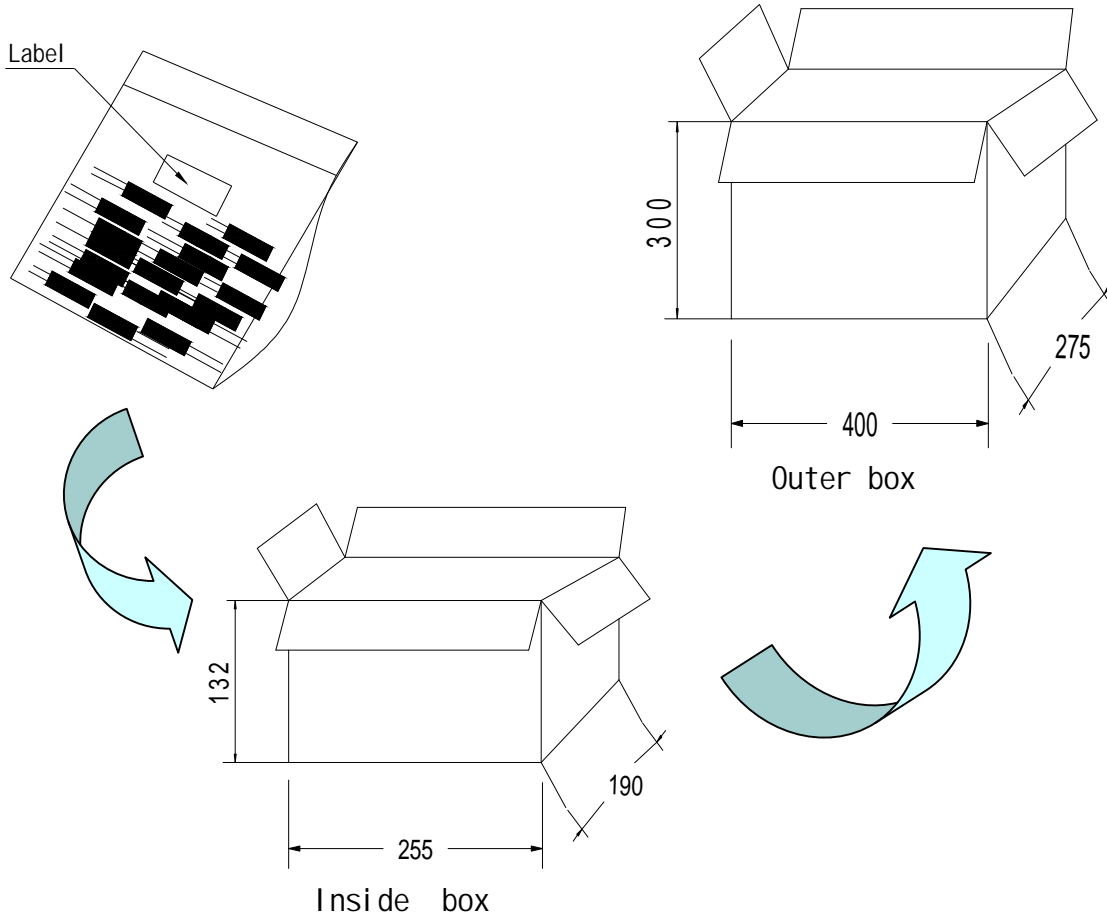
● SPECIFICATION TABLE:

PART NUMBER 品名	INDUCTANCE (μ H) 电感值	DCR (Max.) (Ω) 直流电阻	Idc (Max.) (A) 额定电流	TEST FREQUENCY 测试频率
CKPK1216-330K	33	0.08	5.0	1KHz,0.25V
CKPK1216-390K	39	0.10	4.5	1KHz,0.25V
CKPK1216-470K	47	0.11	4.2	1KHz,0.25V
CKPK1216-560K	56	0.12	4.0	1KHz,0.25V
CKPK1216-680K	68	0.13	3.5	1KHz,0.25V
CKPK1216-820K	82	0.14	3.3	1KHz,0.25V
CKPK1216-101K	100	0.15	3.2	1KHz,0.25V
CKPK1216-121K	120	0.16	3.0	1KHz,0.25V
CKPK1216151K	150	0.17	2.7	1KHz,0.25V
CKPK1216181K	180	0.18	2.5	1KHz,0.25V
CKPK1216-221K	220	0.20	2.3	1KHz,0.25V
CKPK1216-271K	270	0.30	2.0	1KHz,0.25V
CKPK1216-331K	330	0.40	1.9	1KHz,0.25V
CKPK1216-391K	390	0.50	1.8	1KHz,0.25V
CKPK1216-471K	470	0.60	1.7	1KHz,0.25V
CKPK1216-561K	560	0.70	1.6	1KHz,0.25V
CKPK1216-681K	680	0.80	1.5	1KHz,0.25V
CKPK1216-821K	820	0.90	1.4	1KHz,0.25V
CKPK1216-102K	1000	1.00	1.3	1KHz,0.25V
CKPK1216-152K	1500	1.50	1.0	1KHz,0.25V
CKPK1216-182K	1800	2.00	0.8	1KHz,0.25V
CKPK1216-222K	2200	3.00	0.7	1KHz,0.25V
CKPK1216-272K	2700	4.50	0.6	1KHz,0.25V
CKPK1216-332K	3300	6.00	0.5	1KHz,0.25V



● Packaging 包装方式

1. Bulk 散装/ Dimension of Bag: 160mm*170mm



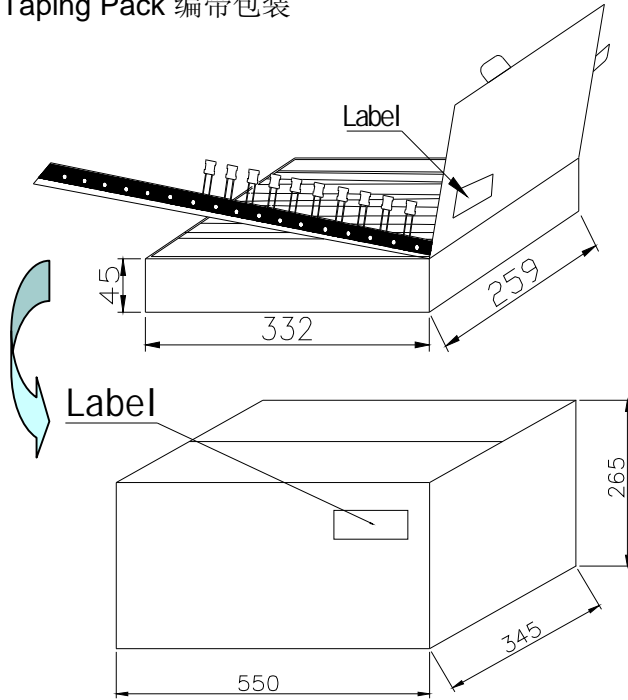
Type	Quantity(Pcs)			Remark
	Bag	Inside box	Outer box	
CKPK0304	1,000 Pcs	10,000 Pcs	40,000 Pcs	
CKPK0406	1,000 Pcs	10,000 Pcs	40,000 Pcs	
CKPK0507	500 Pcs	5,000 Pcs	20,000 Pcs	
CKPK0608	500 Pcs	4,000 Pcs	16,000 Pcs	
CKPK0707	200 Pcs	2,000 Pcs	8,000 Pcs	
CKPK0810	200 Pcs	2,000 Pcs	8,000 Pcs	
CKPK0912	200 Pcs	2,000 Pcs	4,000 Pcs	※
CKPK1012	100 Pcs	1,200 Pcs	4,800 Pcs	
CKPK1016	100 Pcs	1,000 Pcs	4,000 Pcs	
CKPK1216	100 Pcs	1,000 Pcs	4,000 Pcs	

※ Outer box/外箱: 465*280*193mm

NOTE: Standard feet long 15mm /标准脚长15mm



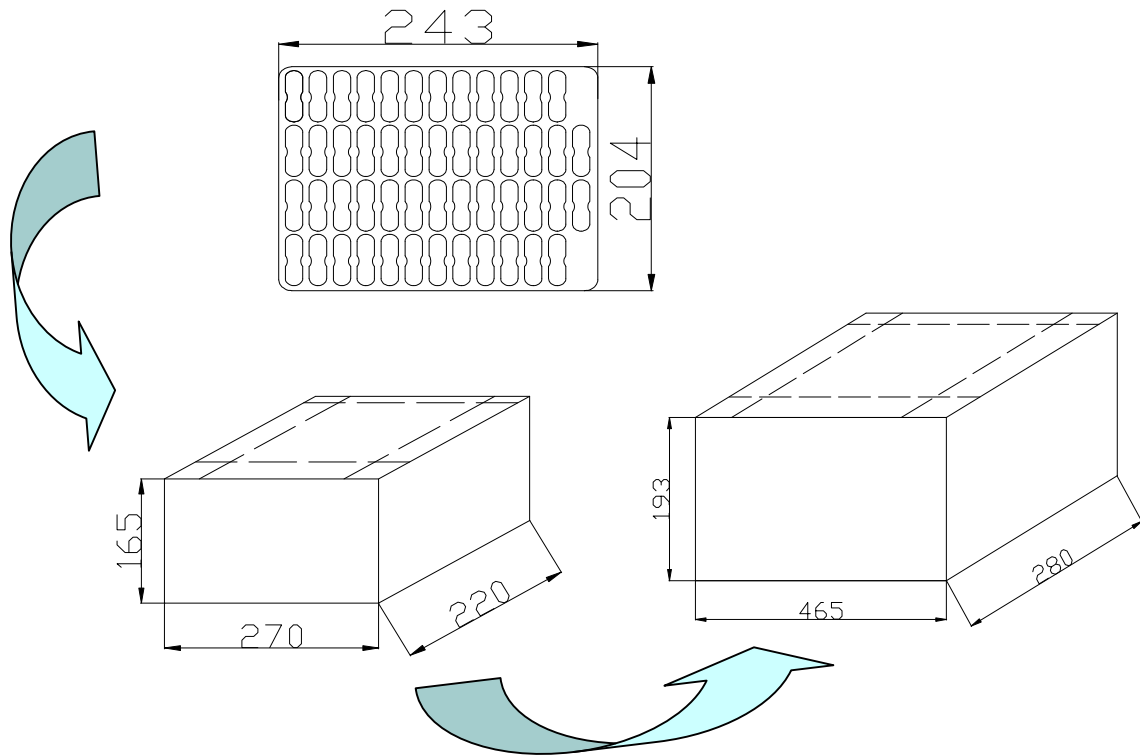
2. Taping Pack 编带包装



Type	Quantity(Pcs)	
	Box	Carton
CKPK0406	2,000	20,000
CKPK0608	1,500	15,000
CKPK0810	800	8,000

NOTE: Conventional feet long 18-20mm Ref/常规脚长18-20MM 参考

3. Special occasions Blister packaging/特殊场合吸塑盒包装



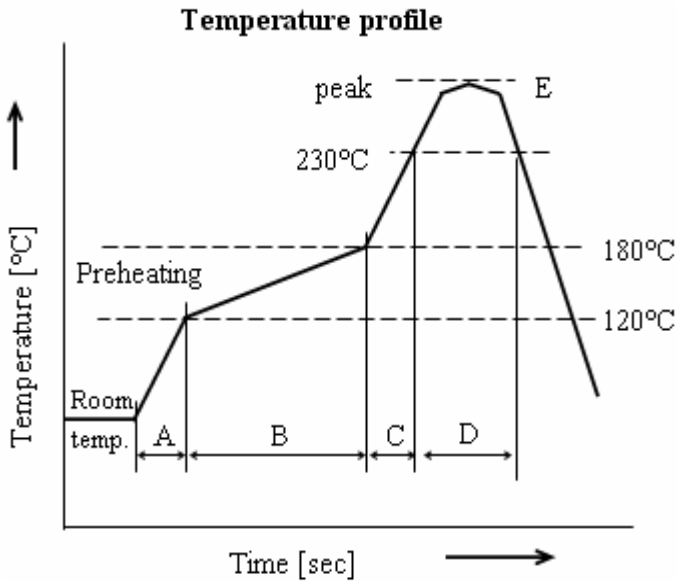
NOTE: 1. Number of the actual shall prevail/包装数量和吸塑盘规格以实际为准,吸塑盘图示仅作参考;
2. The box contained two boxes outside/2个内箱/外箱.



● Soldering 焊接

1. Reflow Soldering 回流焊

Remark: Radial type choke inductor fixed inductor is not suitable for reflow soldering. 注意: 工字电感不适用于回流焊



A	Temp. rise gradient	1~5 °C/sec
B	Heating time	50~150 sec
	Heating temperature	120~180 °C
C	Temp. rise gradient	1~5 °C/sec
D	Time over 230°C	70 sec
E	Peak temperature	260 °C
	Peak-temp. hold time	Momentary
Soldering		2 times

2. Flow(Wave) Soldering 波峰焊

Peak temperature	≤260°C
Dipping time	5 sec
Soldering	2 times

SMD: Dipping the entire component

Component for Insertion :Dipping to the lead joint of componer

3. Hand Soldering/Touchup 手工焊/修补

Soldering iron tip temperature	≤350°C
Soldering time	≤3 sec
Soldering	2 times



● Radial type choke inductor's Reliability Testing Items 产品可靠性测试项目

STANDARD TESTING CONDITIONS:
UNLESS OTHERWISE SPECIFIED, THE STANDARD RANGE OF ATMOSPHERIC CONDITIONS FOR MEASUREMENTS AND TESTS ARE AS FOLLOWS: AMBIENT TEMPERATURE: 15°C ~ 35°C. RELATIVE HUMIDITY: 25% ~ 85%. AIR PRESSURE: 86kPa ~ 106kPa.
依照下表测试方法进行实验测试。产品测试地方的室温：15°C ~ 35°C，湿度：25% ~ 85%，大气压：86kPa ~ 106kPa。

版本：A1

NO.	Items 项目	Test Methods 测试方法	Requirements 要求
1	Lead terminal strength 端子强度试验	A static pulling force of 5N in a direction parallel to the lead terminals for 60±5 seconds. 施加推拉力5牛顿，时间为60s±5s。	No terminal breakage or loosening. 未出现端子损坏或脱落现象
2	Resistance to soldering heat test 耐焊性试验	Fix the samples on a 1.6mm thickness PCB, then dip the sample leads into a soldering bath of 270±5°C up to the PCB for 5±1 seconds. 将产品固定在1.6mm的PCB板上，放入锡炉中，温度为270±5°C，时间为5±1s。	No significant abnormality in appearance. Deviation relative to initial value: L: Within ±10% 外观无明显损坏。变化范围： 电感值在 ±10%内
3	Solder ability test 可焊性试验	Immerse the terminal in flux for 5 seconds. Then dip the terminal into a soldering bath of 245±5°C for 2±0.5 seconds. 端子浸入助焊剂5s，然后将端子放入锡炉中，温度为245±5°C，时间为2±0.5s。	At least 90% of terminal electrode is covered by new solder. 端子表面有90%以上着锡。
4	Humidity test 湿度试验	Temperature 试验温度: 40°C ± 2°C Humidity 试验湿度: 90% ~ 95%RH Duration 持续时间: 96 ± 4 Hours	No significant abnormality in appearance. Deviation relative to initial value: L: Within ±10% 外观无明显损坏。变化范围： 电感值在 ±10%内
5	High temperature storage test 高温储存试验	Temperature 试验温度: 85°C ± 2°C Duration 持续时间: 96 ± 4 Hours	
6	Low temperature storage test 低温储存试验	Temperature 试验温度: -25°C ± 2°C Time 持续时间: 96 ± 4 Hours	
7	Thermal shock test 冷热冲击试验	First -25±5°C for 30±3 minutes, last 85±5°C 30±3 minutes as 1 cycles. Go through 10 cycles. 首先从-25±5°C作用30±3分钟，然后温度冲击到85±5°C作用30±3分钟，作为一个循环，共做10个循环。	